

**THE PRESLEY**

Aluminium Modern Panel

**PRODUCT CODE :**

PK-1.5

**MATERIAL :**

Aluminium

Pickets: SHS 19 x 1.2mm

Rails: RHS 38 x 25 x 1.5mm

**FINISH :**

Powder Coated

**PANEL WEIGHT :**

10 kg

**FIXINGS SUPPLIED :**

Brackets

Tek Screws

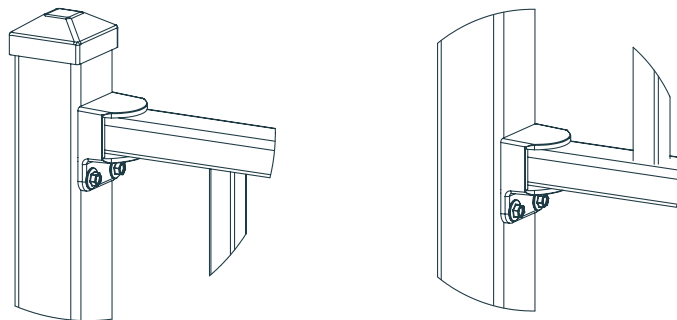
**RECOMMENDED POST :**

Fence Inground 2.1mH

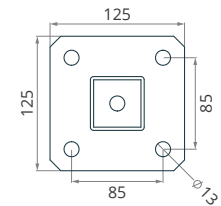
50 x 1.8mm Ali

Fence Flanged 1.6mH

50 x 1.8mm Ali


**RAIL BRACKET**

**FLANGE POST**

Fence Panel


**Post Size:** SHS 50

**Flange Thickness:** 8mm

**FIXINGS**
**On Concrete :** M12x75 sleeve anchor

**On Structural Timber :** M12x75 coach bolt

**INGROUND POST**
