

THE PRESLEY

Aluminium Modern Panel

PRODUCT CODE :

PP-1.2

MATERIAL :

Aluminium

Pickets: SHS 19 x 1.2mm

Rails: RHS 38 x 25 x 1.5mm

FINISH :

Powder Coated

PANEL WEIGHT :

8 kg

FIXINGS SUPPLIED :

Brackets

Tek Screws

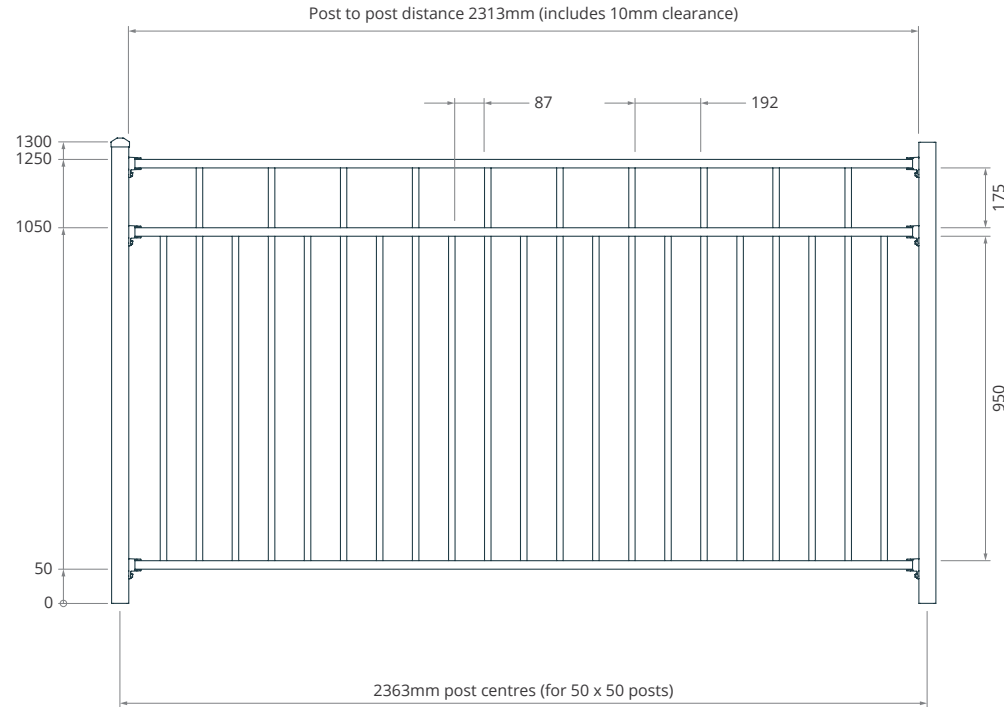
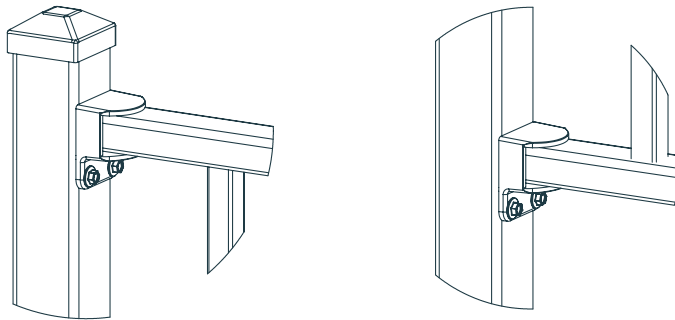
RECOMMENDED POST :

Fence Inground 1.8mH

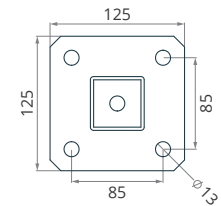
50 x 1.8mm Ali

Fence Flanged 1.3mH

50 x 1.8mm Ali


RAIL BRACKET

FLANGE POST

Fence Panel



Post Size: SHS 50

Flange Thickness: 8mm

FIXINGS

On Concrete : M12x75 sleeve anchor

On Structural Timber : M12x75 coach bolt

INGROUND POST
