

THE OASIS

Horizontal Slat Panel

PRODUCT CODE :

OASIS

MATERIAL :

 Aluminium
 Slats: 65 x 16 x 1mm
 C - Channel
 F - Profile

FINISH :

Epoxy Powder Coated

PANEL WEIGHT :

Variable

FIXINGS SUPPLIED :

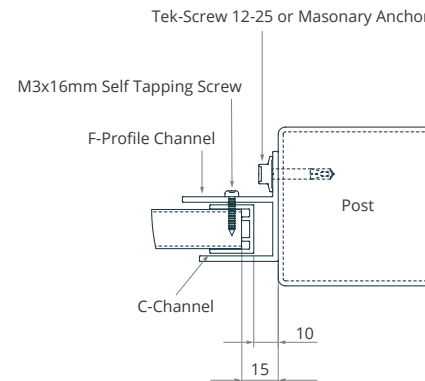
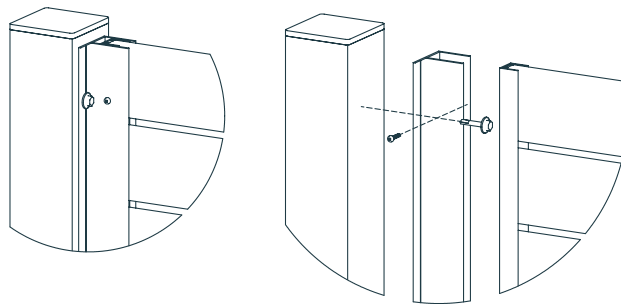
 Tek Screws
 F - Profile

RECOMMENDED POST :

SHS 50 or Masonary Pillar


HEIGHT (MM)

No. of Slats	Privacy Gaps	Airflow Gaps
10	740	794
11	815	875
12	890	956
13	965	1037
14	1040	1118
15	1115	1199
16	1190	1280
17	1265	1361
18	1340	1442
19	1415	1523
20	1490	1604

RAIL BRACKET

INGROUND POST
