

**THE LENNOX**

Aluminium Commercial Panel

**PRODUCT CODE :**

LEN-1.5-3RF

**MATERIAL :**

Aluminium  
Pickets SHS 25 x 1.2mm  
Rails SHS 40 x 2mm

**FINISH :**

Epoxy Powder Coated

**PANEL WEIGHT :**

13.3 kg

**FIXINGS SUPPLIED :**

Brackets and Tek Screws

**RECOMMENDED POST :**

Fence Inground 2.1mH

65 x 2.5mm SHS Ali

or

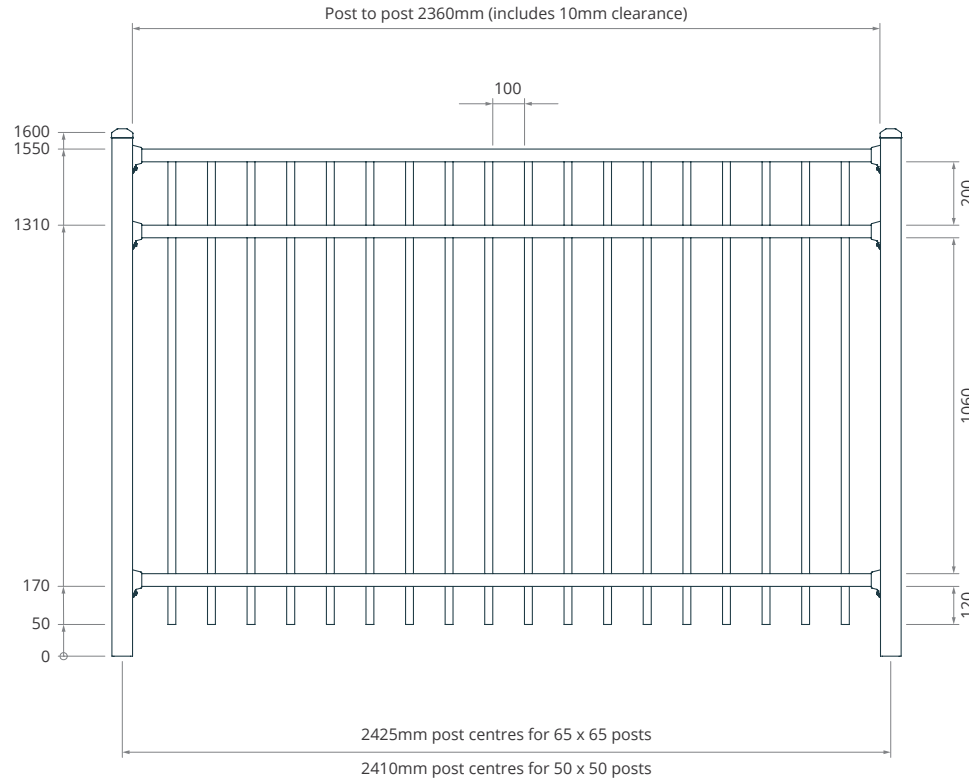
50 x 1.5mm SHS Ali

Fence Flanged 1.6mH

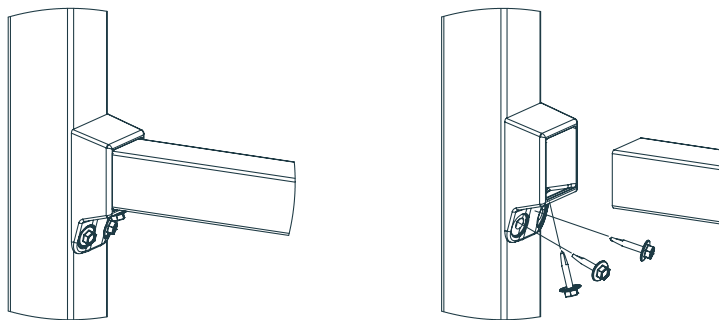
65 x 3mm SHS Ali

or

50 x 1.8mm SHS Ali

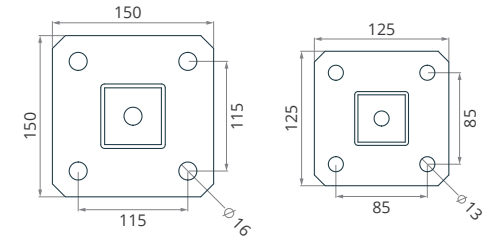


**RAIL BRACKET**



**FLANGE POST**

Fence Panel



Post Size: SHS 65

Flange Thickness: 10mm

Post Size: SHS 50

Flange Thickness: 8mm

**FIXINGS**

On Concrete : M12x75 sleeve anchor

On Structural Timber : M12x75 coach bolt

**INGROUND POST**

