

THE FINNS

Vertically Finned Balustrade

DESCRIPTION :

Balustrade

MATERIAL :

Aluminium

Pickets 65 x 16 x 1.0mm

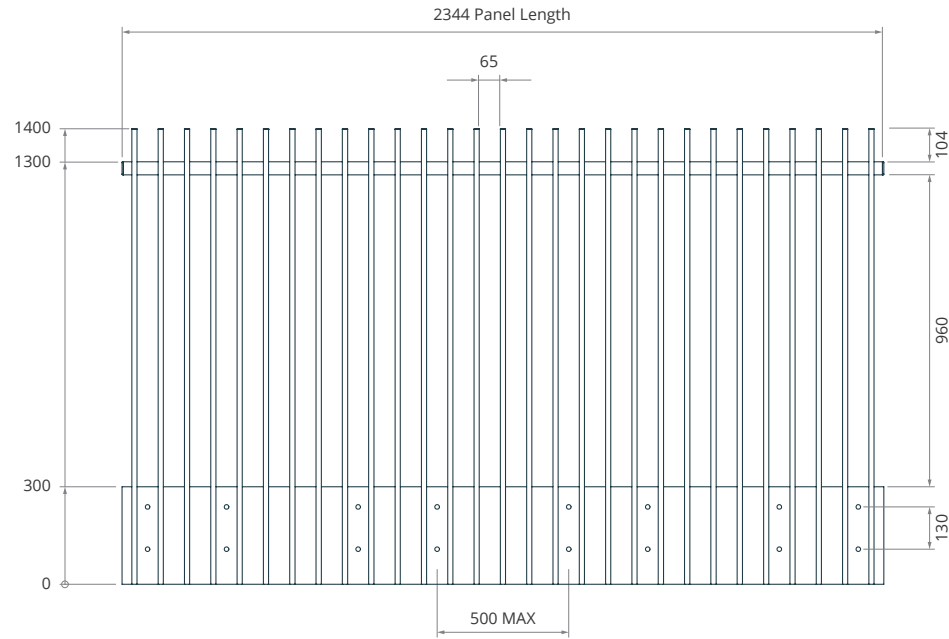
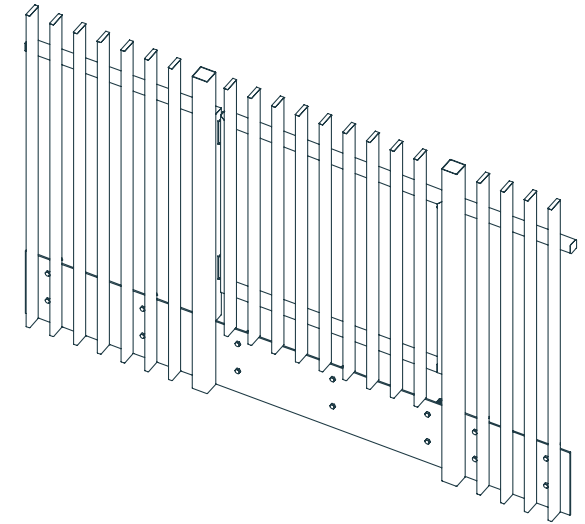
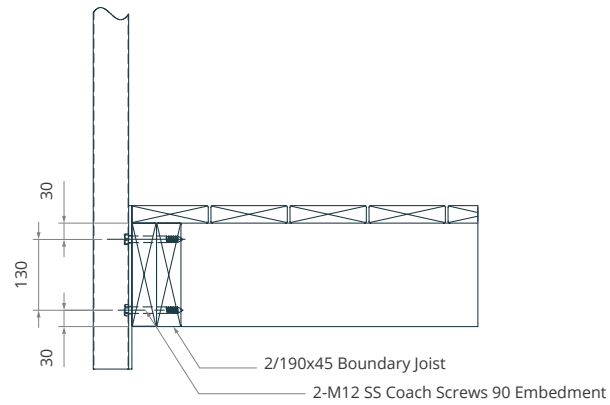
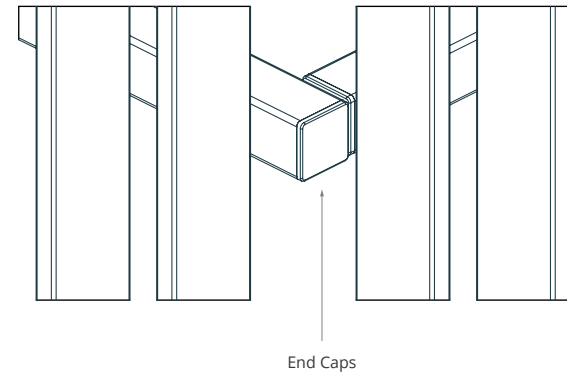
Rails 40 x 40 x 2.0mm

FINISH :

Epoxy Powder Coated

PANEL WEIGHT :

19 kg


PEDESTRIAN GATE DETAIL

PLATE

CORNER DETAIL


Note: Boundary Joist, Torsional Restraint and Connections to Deck by Others