

**THE CHIEFS**

HDG Security Panel

**PRODUCT CODE :**

CS-2.0

**MATERIAL :**

Black Steel  
Pickets: 16mm Tube x 1.5mm  
Rails: SHS 30 x 2.0mm

**FINISH :**

Hot Dip Galvanised

**PANEL WEIGHT :**

30 kg

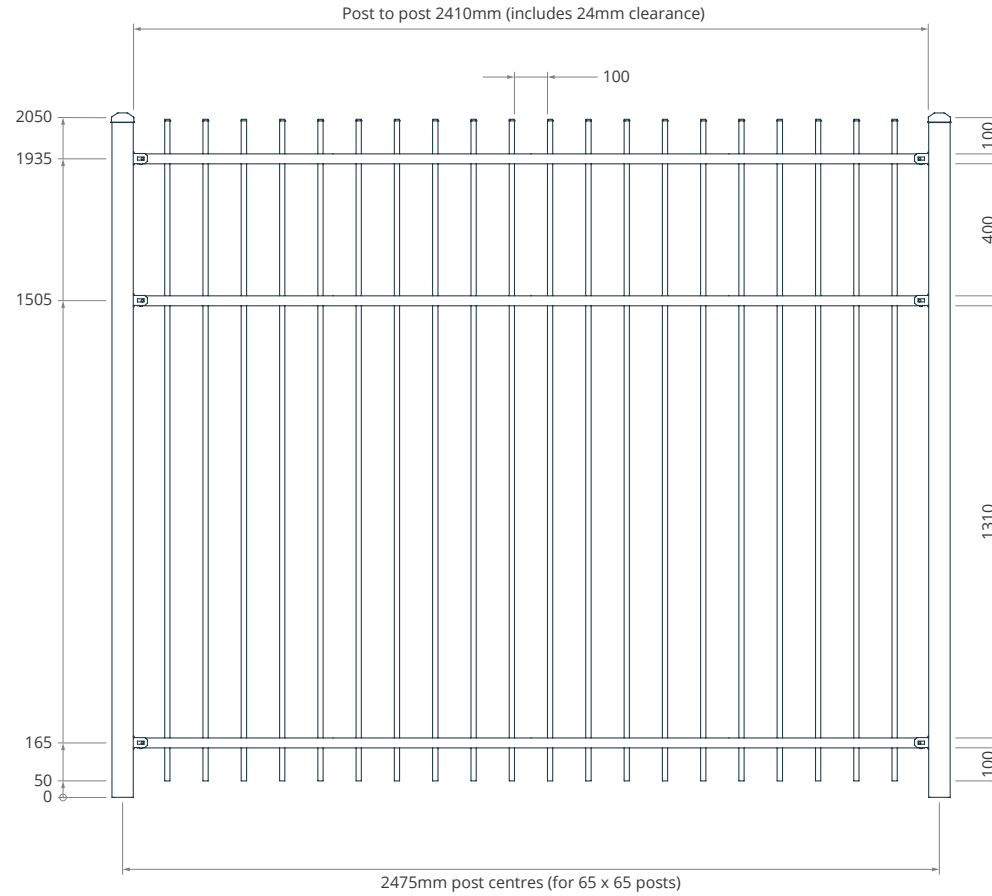
**FIXINGS SUPPLIED :**

Brackets  
Tamperproof Bolts  
Tek Screws

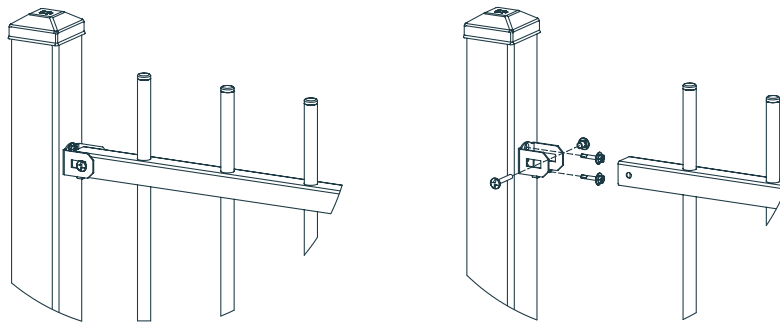
**RECOMMENDED POST :**

Fence Inground 2.9mH  
65 x 2.5mm

Fence Flanged 2.2mH  
65 x 3.0mm

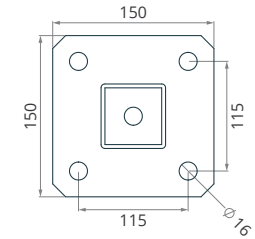


**BRACKET**



**FLANGE POST**

Fence Panel



Post Size: SHS 65

Flange Thickness: 10mm

**FIXINGS**

M12x75 sleeve anchor

**INGROUND POST**

