

**THE CHIEFS**

HDG Security Panel

**PRODUCT CODE :**

CP-1.2

**MATERIAL :**

Black Steel

Pickets: 16mm Tube x 1.5mm

Rails: SHS 30 x 2.0mm

**FINISH :**

Hot Dip Galvanised

**PANEL WEIGHT :**

19 kg

**FIXINGS SUPPLIED :**

Brackets

Tamperproof Bolts

Tek Screws

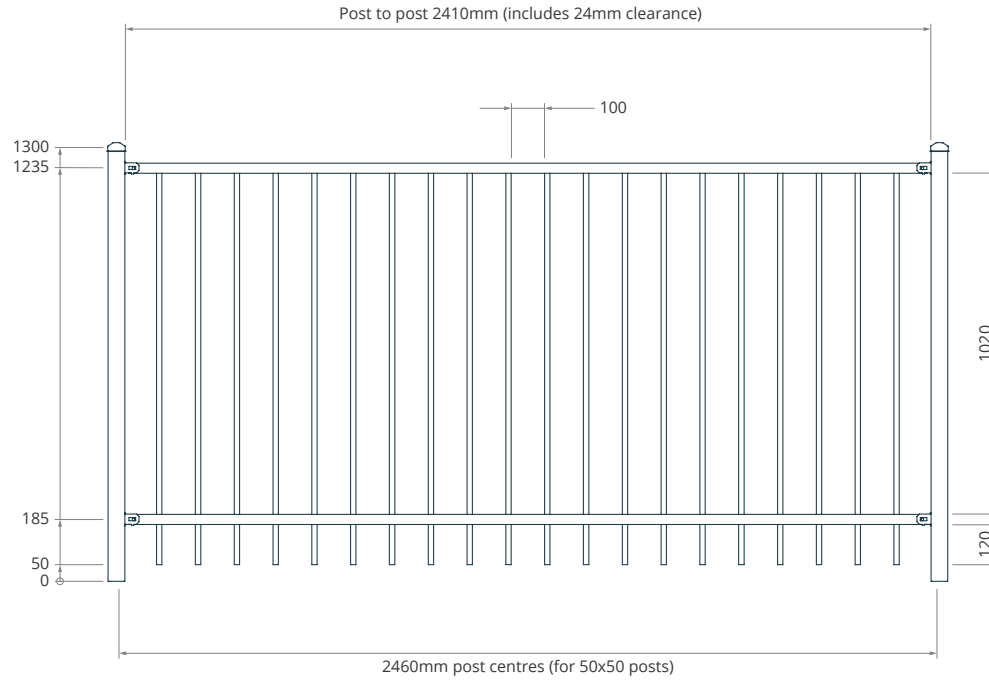
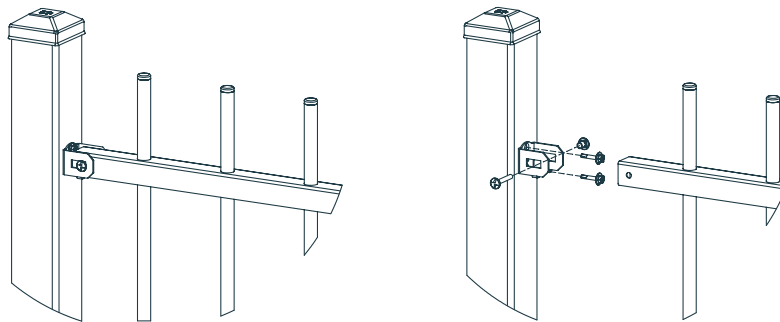
**RECOMMENDED POST :**

Fence Inground 2.0mH

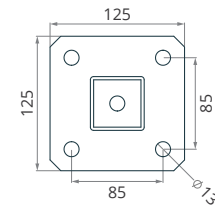
50 x 1.5mm

Fence Flanged 1.3mH

50 x 1.5mm


**BRACKET**

**FLANGE POST**

Fence Panel


**Post Size:** SHS 50

**Flange Thickness:** 5mm

**FIXINGS**

M12x75 sleeve anchor

**INGROUND POST**
