

**THE METALLICA**

Anti-scale Welded Mesh Panel

**PRODUCT CODE :**

358DV-22x24

**MATERIAL :**

HDG Rigid Wire 4mm Dia

**FINISH :**

Hot Dip Galvanised

**SHEET WEIGHT :**

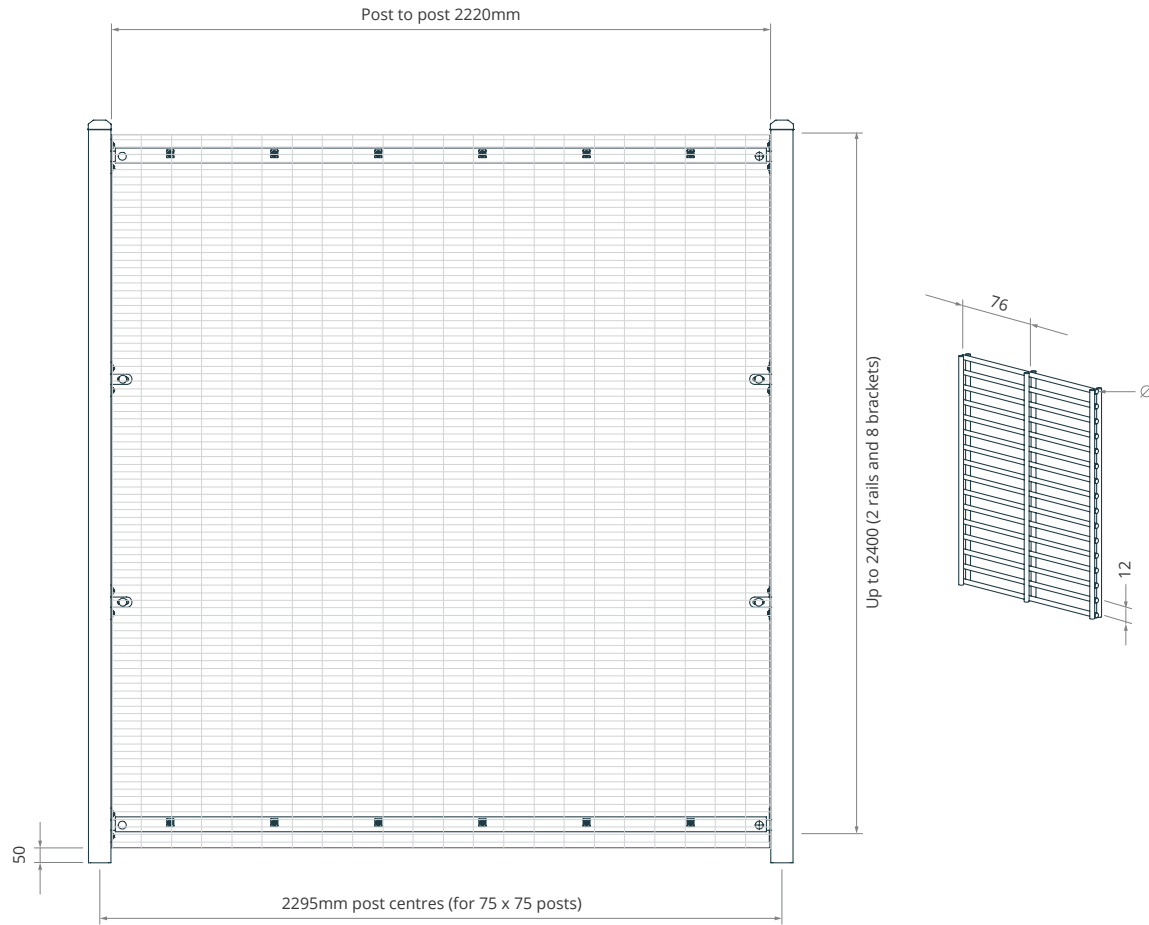
55 kg

**FIXINGS SUPPLIED :**

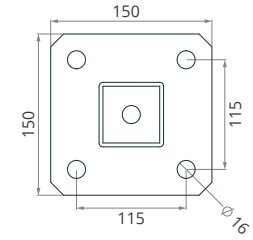
- Mesh Clips
- Security Screws
- Bolt on Brackets and Rails

**RECOMMENDED POST :**

Steel 75 SHS x 3.0mm



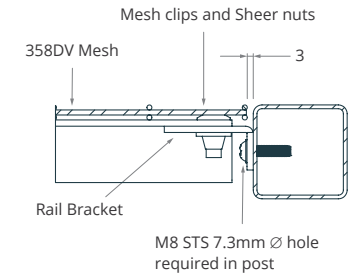
**FLANGE POST**



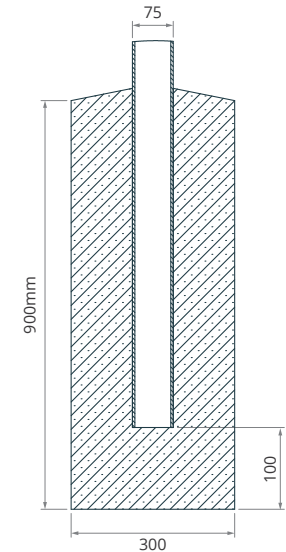
Post Size: 75mm

Flange Thickness: 10mm

**RAIL**

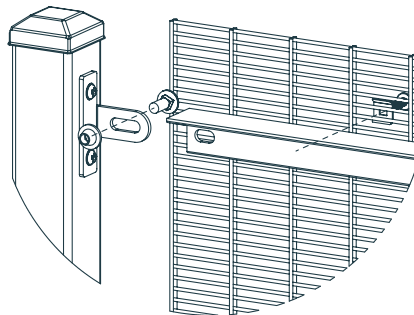
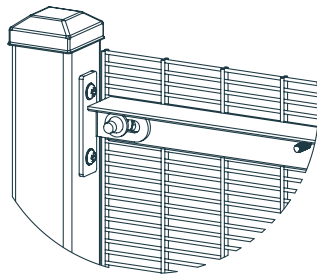


**INGROUND POST**



**RAIL BRACKET**

Bolt On



Weld On

